

所別： 機電工程研究所 組別： _____ 科目： 靜力學

注意： 不准 一般計算器 工程用計算器，考試時間總計： _____ 分鐘。試題共 1 頁，第 1 頁

每題 25 分，總分 100 分。

1. The airstroke actuator at D is used to apply a force of $F=200\text{ N}$ on the member at B . Determine the reaction forces at the pin A and the force of the smooth shaft at C on the member. (See Fig. 1)
2. Replace the force system acting on the truss by a resultant force and couple moment at point C . (See Fig. 2)

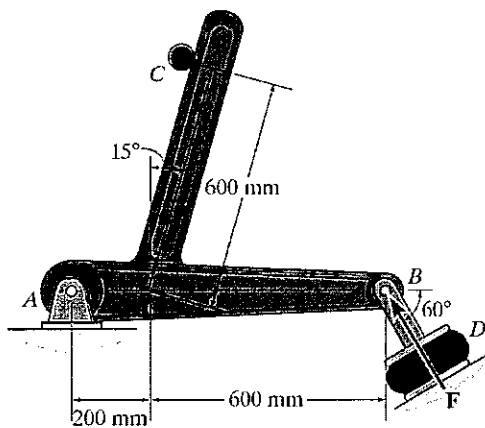


Fig. 1

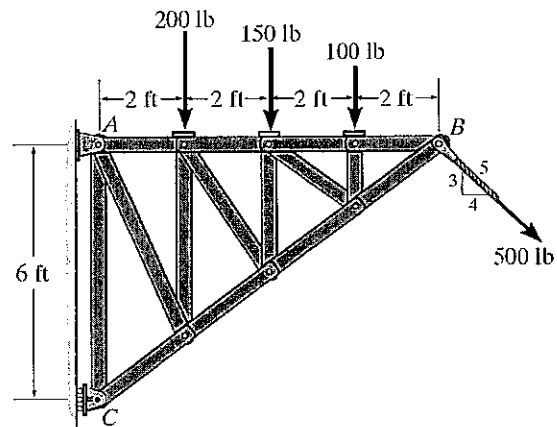


Fig. 2

3. Draw the shear and moment diagrams for the cantilever beam. (See Fig. 3)
4. If the coefficient of static friction between the crate and the ground is $\mu_s = 0.3$, determine the minimum coefficient of static friction between the man's shoes and the ground so that the man can move the crate. (See Fig. 4)

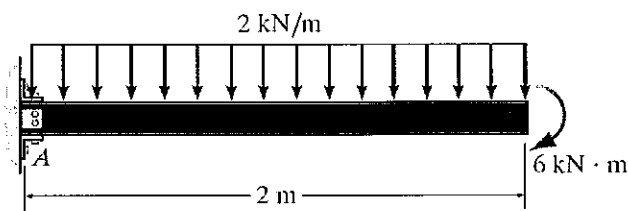


Fig. 3

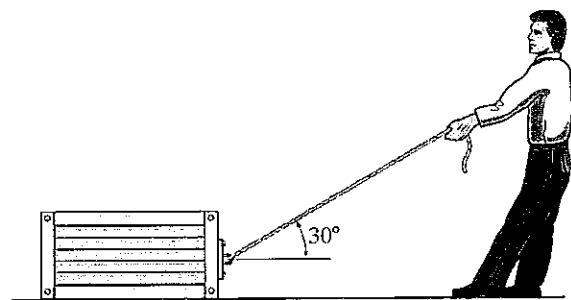


Fig. 4